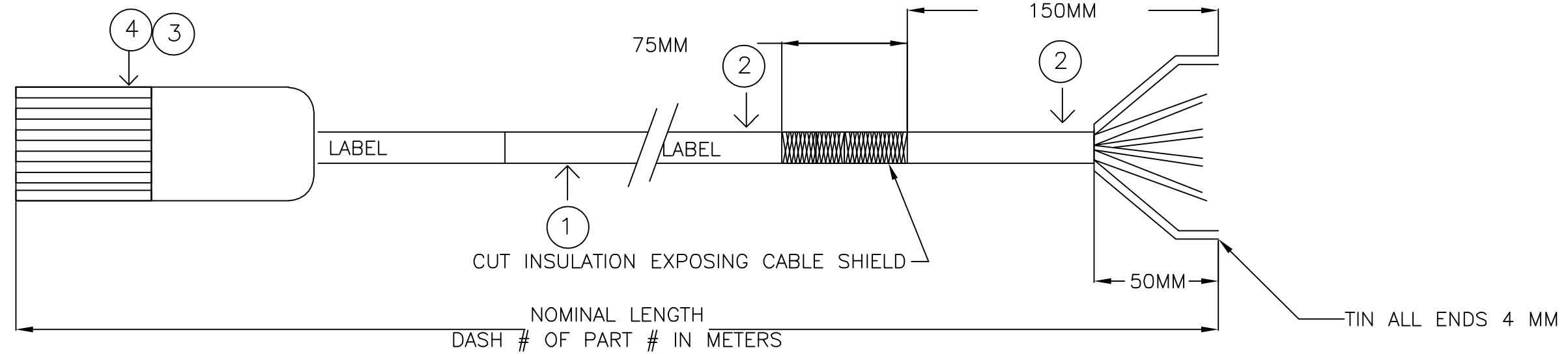


REVISIONS			
REV	DESCRIPTION	DATE	APPROVED
1	INITIAL RELEASE		
2	ADDED FLYING LEAD LENGTH, CORRECTED NOMINAL LENGTH	4/14/08	JEC

(CONNECTOR A)



CONNECTOR A

WIRE COLOR	FUNCTION	PIN #
Black #U	PHASE U	1
Black #V	PHASE V	2
Black #W	PHASE W	6
GREEN/YELLOW STRIP	GROUND	3 (PE)
BLACK BR1	OPTION (+)	4
BLACK BR2	OPTION (-)	5
BRAID	SHIELD	SHIELD COVER

METRIC UNITS ALL DIMENSIONS ARE IN MILLIMETERS (UNLESS OTHERWISE SPECIFIED)	ALL PARTS AND ASSEMBLIES TO BE MANUFACTURED PER PARKER HANNIFIN DAEDAL DIVISION PS1000 SPECIFICATIONS				<i>Manual & Motorized Positioning Systems</i>
	ALL THREADS TO BE: I.S.O. 4g6g OR 4H6H (COARSE PITCH)	STANDARD TOLERANCES, UNLESS OTHERWISE SPECIFIED DECIMALS .X ±.2 .XX ±.10 .XXX ±.010	RMS FINISH 1600 		
REFERENCE DRAWINGS	CHAMFERS: 45° x .5	RADII: .5 R.	DRAWN	MDB	1-10-03
ASSY or NSPER No.:	REMOVE BURRS, BREAK SHARP EDGES		CHECKED		
SALES ORDER No.:	MATERIAL		DESIGN		
FILE NAME:	N/A		ENGINEERING		
MADE FROM(FILE):	FINISH		MANUFACTURING		
	N/A		QUALITY ASSURANCE		
			ASSEMBLY		
			412LXR IRON CORE MTR CBL		
		AutoCad DRAWING		B 006-1922	
SCALE: N/A		REPRO:		SHT. 1 OF 1 REV. 2	