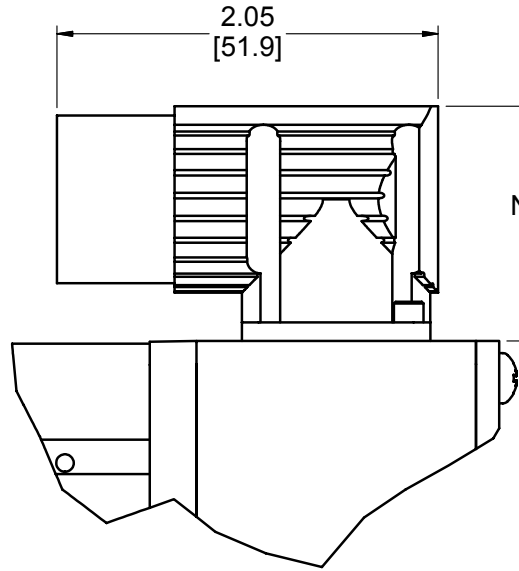
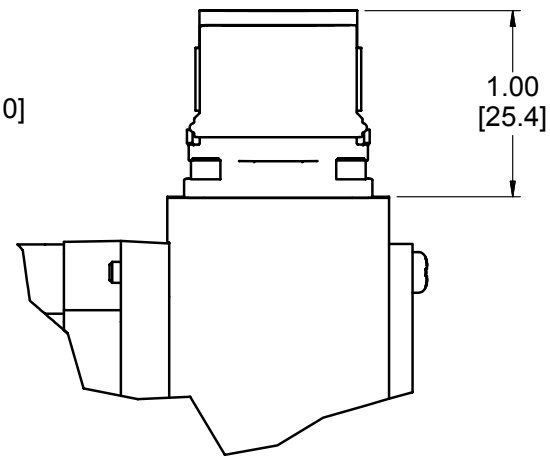



REVISIONS			
REV	DESCRIPTION	DATE	NAME



RIGHT ANGLE PS OPTION  
 NON-ROTATABLE = LOWER PROFILE  
 ROTATABLE = HIGHER PROFILE



STRAIGHT PS OPTION

	NAME	DATE	UNLESS OTHERWISE SPECIFIED:	MATERIAL:	 <b>PARKER HANNIFIN CORP.</b> EMN AUTOMATION DIVISION	
DRAWN	DJB	9/29/2005	DIMENSIONS ARE IN INCHES	FINISH:		
CHECKED			TOLERANCES: FRACTIONAL ± 1/64 ANGULAR ± .5 ONE PLACE DECIMAL ± .02 TWO PLACE DECIMAL ± .01 THREE PLACE DECIMAL ± .005	COMMENTS:		
ENG APR			DO NOT SCALE DRAWING	DIMENSIONS MAY VARY SLIGHTLY PER MOTOR LINE		
PROPRIETARY AND CONFIDENTIAL THE INFORMATION CONTAINED IN THIS DRAWING IS THE SOLE PROPERTY OF PARKER HANNIFIN CORPORATION. ANY REPRODUCTION IN PART OR AS A WHOLE WITHOUT THE WRITTEN PERMISSION OF PARKER HANNIFIN CORPORATION IS PROHIBITED.			SCALE:	SHEET SIZE:	PART NUMBER:	
				SHEET 1 OF 1	B	

PS CONNECTOR OPTIONS